



---

# 30" (76.2 CM) AND 36" (91.4 CM) WALL-MOUNT CANOPY RANGE HOOD

## Installation Instructions and Use & Care Guide

For questions about features, operation/performance parts, accessories or service, call: **1-800-253-1301**

In Canada, for assistance, installation and service, call: **1-800-807-6777**

or visit our website at...

[www.whirlpool.com](http://www.whirlpool.com) or [www.whirlpool.ca](http://www.whirlpool.ca)

---

# HOTTE D'EXTRACTION À MONTAGE MURAL DE 30" (76,2 CM) ET 36" (91,4 CM)

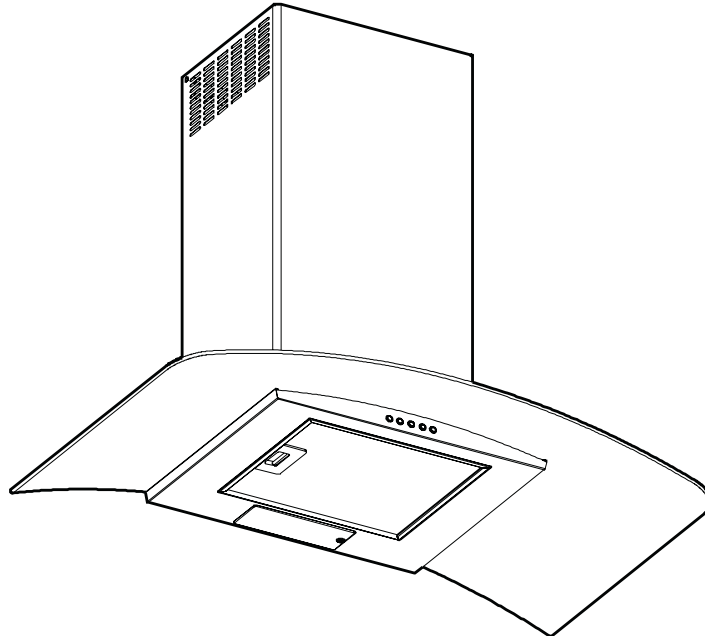
## Instructions d'installation et Guide d'utilisation et d'entretien

Au Canada, pour assistance, installation ou service composez le **1-800-807-6777**

ou visitez notre site web à [www.whirlpool.ca](http://www.whirlpool.ca)

---

Table of Contents/Table des matières..... 2



**IMPORTANT: READ AND SAVE THESE INSTRUCTIONS.**

**FOR RESIDENTIAL USE ONLY.**

**IMPORTANT : LIRE ET CONSERVER CES INSTRUCTIONS.**

**POUR UTILISATION RÉSIDENNELLE UNIQUEMENT.**

## TABLE OF CONTENTS

<b>RANGE HOOD SAFETY</b> .....	<b>2</b>
<b>INSTALLATION REQUIREMENTS</b> .....	<b>4</b>
Tools and Parts .....	4
Location Requirements .....	4
Venting Requirements .....	5
Electrical Requirements .....	6
<b>INSTALLATION INSTRUCTIONS</b> .....	<b>7</b>
Prepare Location .....	7
Install Range Hood .....	8
Connect Vent System .....	8
Make Electrical Connection .....	9
Install Vent Covers .....	9
Complete Installation .....	10
<b>RANGE HOOD USE</b> .....	<b>10</b>
Range Hood Controls .....	10
<b>RANGE HOOD CARE</b> .....	<b>11</b>
Cleaning .....	11
<b>WIRING DIAGRAM</b> .....	<b>12</b>
<b>ASSISTANCE OR SERVICE</b> .....	<b>13</b>
In the U.S.A. ....	13
Accessories .....	13
In Canada .....	13
<b>WARRANTY</b> .....	<b>14</b>

## TABLE DES MATIÈRES

<b>SÉCURITÉ DE LA HOTTE DE CUISINIÈRE</b> .....	<b>15</b>
<b>EXIGENCES D'INSTALLATION</b> .....	<b>17</b>
Outils et pièces .....	17
Exigences d'emplacement .....	17
Exigences concernant l'évacuation .....	18
Spécifications électriques .....	20
<b>INSTRUCTIONS D'INSTALLATION</b> .....	<b>20</b>
Préparation de l'emplacement .....	20
Installation de la hotte .....	21
Raccordement du circuit d'évacuation .....	21
Raccordement électrique .....	22
Installation des cache-conduits .....	23
Achever l'installation .....	23
<b>UTILISATION DE LA HOTTE</b> .....	<b>23</b>
Commandes de la hotte de cuisinière .....	24
<b>ENTRETIEN DE LA HOTTE</b> .....	<b>24</b>
Nettoyage .....	24
<b>SCHÉMA DE CÂBLAGE</b> .....	<b>26</b>
<b>ASSISTANCE OU SERVICE</b> .....	<b>27</b>
Au Canada .....	27
Accessoires .....	27
<b>GARANTIE</b> .....	<b>27</b>

## RANGE HOOD SAFETY

### Your safety and the safety of others are very important.

We have provided many important safety messages in this manual and on your appliance. Always read and obey all safety messages.



This is the safety alert symbol.

This symbol alerts you to potential hazards that can kill or hurt you and others.

All safety messages will follow the safety alert symbol and either the word "DANGER" or "WARNING."

These words mean:

**⚠ DANGER**

**You can be killed or seriously injured if you don't immediately follow instructions.**

**⚠ WARNING**

**You can be killed or seriously injured if you don't follow instructions.**

All safety messages will tell you what the potential hazard is, tell you how to reduce the chance of injury, and tell you what can happen if the instructions are not followed.

# IMPORTANT SAFETY INSTRUCTIONS

**WARNING:** TO REDUCE THE RISK OF FIRE, ELECTRIC SHOCK, OR INJURY TO PERSONS, OBSERVE THE FOLLOWING:

- Use this unit only in the manner intended by the manufacturer. If you have questions, contact the manufacturer.
- Before servicing or cleaning the unit, switch power off at service panel and lock the service disconnecting means to prevent power from being switched on accidentally. When the service disconnecting means cannot be locked, securely fasten a prominent warning device, such as a tag, to the service panel.
- Installation work and electrical wiring must be done by qualified person(s) in accordance with all applicable codes and standards, including fire-rated construction.
- Do not operate any fan with a damaged cord or plug. Discard fan or return to an authorized service facility for examination and/or repair.
- Sufficient air is needed for proper combustion and exhausting of gases through the flue (chimney) of fuel burning equipment to prevent backdrafting. Follow the heating equipment manufacturer's guideline and safety standards such as those published by the National Fire Protection Association (NFPA), the American Society for Heating, Refrigeration and Air Conditioning Engineers (ASHRAE), and the local code authorities.
- When cutting or drilling into wall or ceiling; do not damage electrical wiring and other utilities.
- Ducted fans must always be vented outdoors.

**CAUTION:** For general ventilating use only. Do not use to exhaust hazardous or explosive materials and vapors.

**CAUTION:** To reduce risk of fire and to properly exhaust air, be sure to duct air outside - do not vent exhaust air into spaces within walls or ceilings, attics or into crawl spaces, or garages.

**WARNING:** TO REDUCE THE RISK OF FIRE, USE ONLY METAL DUCTWORK.

**WARNING:** TO REDUCE THE RISK OF A RANGE TOP GREASE FIRE:

- Never leave surface units unattended at high settings. Boilovers cause smoking and greasy spillovers that may ignite. Heat oils slowly on low or medium settings.
- Always turn hood ON when cooking at high heat or when flambeing food (i.e. Crepes Suzette, Cherries Jubilee, Peppercorn Beef Flambé).
- Clean ventilating fans frequently. Grease should not be allowed to accumulate on fan or filter.
- Use proper pan size. Always use cookware appropriate for the size of the surface element.

**WARNING:** TO REDUCE THE RISK OF INJURY TO PERSONS IN THE EVENT OF A RANGE TOP GREASE FIRE, OBSERVE THE FOLLOWING:<sup>a</sup>

- SMOTHER FLAMES with a close fitting lid, cookie sheet, or metal tray, then turn off the burner. BE CAREFUL TO PREVENT BURNS. If the flames do not go out immediately, EVACUATE AND CALL THE FIRE DEPARTMENT.
- NEVER PICK UP A FLAMING PAN - you may be burned.
- DO NOT USE WATER, including wet dishcloths or towels - a violent steam explosion will result.
- Use an extinguisher ONLY if:
  - You know you have a class ABC extinguisher, and you already know how to operate it.
  - The fire is small and contained in the area where it started.
  - The fire department is being called.
  - You can fight the fire with your back to an exit.

<sup>a</sup>Based on "Kitchen Fire Safety Tips" published by NFPA.

- **WARNING:** To reduce the risk of fire or electrical shock, do not use this fan with any solid-state speed control device.

## READ AND SAVE THESE INSTRUCTIONS

# INSTALLATION REQUIREMENTS

## Tools and Parts

Gather the required tools and parts before starting installation. Read and follow the instructions provided with any tools listed here.

### Tools needed

- Level
- Drill with 1/4" (3.0 cm), 1/8" (3.2 mm), and 5/16" (7.9 mm) drill bits
- Pencil
- Wire stripper or utility knife
- Tape measure or ruler
- Pliers
- Caulking gun and weatherproof caulking compound
- Vent clamps
- Jigsaw or keyhole saw
- Flat-blade screwdriver
- Metal snips
- Phillips screwdriver
- Metric hex key set

### Parts needed

- Home power supply cable
- 1/2" (12.7 mm) UL listed or CSA approved strain relief
- 3 UL listed wire connectors

### For vented installations, you will also need:

- 1 wall or roof cap
- Metal vent system

### For non-vented (recirculating) installations, you will also need:

- Recirculation Kit Part Number W10294733 for non-vented (recirculating) installations only. See "Assistance or Service" section to order.
- 6" (15.2 cm) dia. round metal vent duct - length required is determined by ceiling height.

### Parts supplied

Remove parts from packages. Check that all parts are included.

- Hood canopy assembly with blower, vent transition, light bulb and canopy glass already installed
- Metal grease filter
- Vent cover support bracket
- Mounting template
- 2-piece vent cover
- 4 - 4 x 8 screws
- 6 - 5 x 45 mm mounting screws
- 2 - 8 x 40 mm wall anchors
- 4 - 10 x 50 mm wall anchors
- T10 Torx®† adapter
- T20® Torx®† adapter

†TORX and T20 are registered trademarks of Saturn Fasteners, Inc.

## Location Requirements

**IMPORTANT:** Observe all governing codes and ordinances.

Have a qualified technician install the range hood. It is the installer's responsibility to comply with installation clearances specified on the model/serial rating plate. The model/serial rating plate is located behind the left filter on the rear wall of the vent hood.

Canopy hood location should be away from strong draft areas, such as windows, doors and strong heating vents.

Cabinet opening dimensions that are shown must be used. Given dimensions provide minimum clearance.

Grounded electrical outlet is required. See "Electrical Requirements" section.

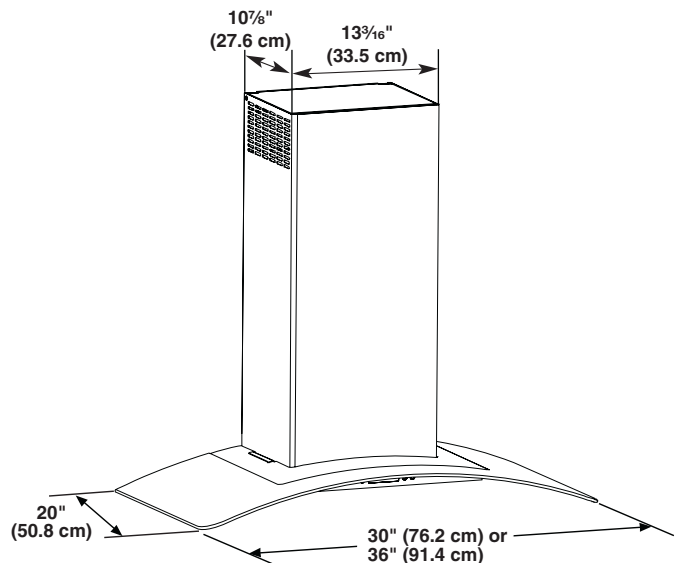
The canopy hood is factory set for venting through the roof or wall. For non-vented (recirculating) installation see "For non-vented (recirculating) installation only" in the "Connect Vent System" section. Recirculation Kit Part Number W10294733 is available from your dealer or an authorized parts distributor.

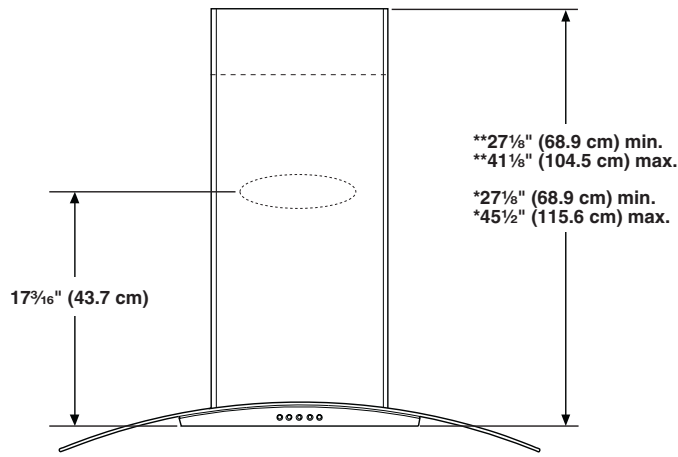
All openings in ceiling and wall where canopy hood will be installed must be sealed.

### For Mobile Home Installations

The installation of this range hood must conform to the Manufactured Home Construction Safety Standards, Title 24 CFR, Part 328 (formerly the Federal Standard for Mobile Home Construction and Safety, Title 24, HUD, Part 280) or when such standard is not applicable, the standard for Manufactured Home Installation 1982 (Manufactured Home Sites, Communities and Setups) ANSI A225.1/NFPA 501A, or latest edition, or with local codes.

## Product Dimensions

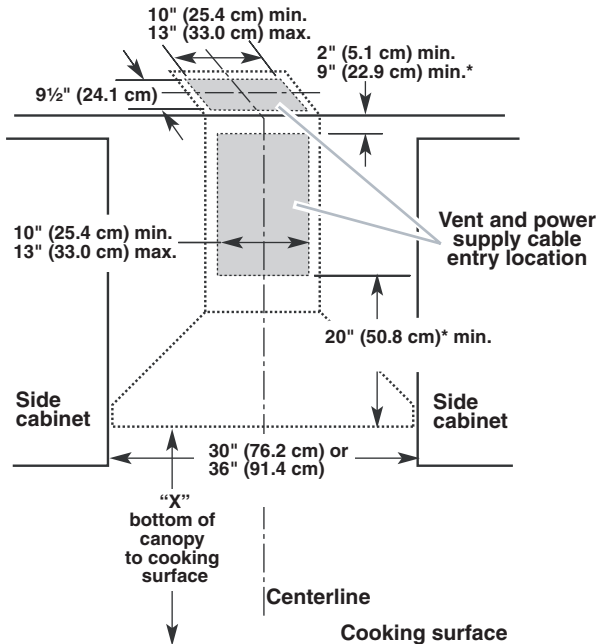




\*For non-vented (recirculating) installations

\*\*For vented installations

### Cabinet Dimensions



\*For non-vented (recirculating) installations

#### IMPORTANT:

Minimum distance "X": 24" (61.0 cm) from electric cooking surface

Minimum distance "X": 27" (68.6 cm) from gas cooking surface

Suggested maximum distance "X": 36" (91.4 cm)

For vented installations, the chimneys can be adjusted for ceilings between 7' 4" (2.25 m) and 9' 5" (2.87 m) with vent slots not showing and between 7' 4" (2.25 m) and 9' 9" (2.97 m) with the vent slots showing.

For non-vented (recirculating) installations, the chimneys can be adjusted for ceilings between 7' 4" (2.24 m) and 9' 9" (2.97 m).

**\*NOTE:** The range hood chimneys are adjustable and designed to meet varying ceiling or soffit heights depending on the distance "X" between the bottom of the range hood and the cooking surface. For higher ceilings, a Stainless Steel Chimney Extension Kit Part Number W10294735 is available from your dealer or an authorized parts distributor. The chimney extension replaces the upper chimney shipped with the range hood.

## Venting Requirements

(vented models only)

- Vent system must terminate to the outdoors, except for non-vented (recirculating) installations.
- Do not terminate the vent system in an attic or other enclosed area.
- Do not use 4" (10.2 cm) laundry-type wall cap.
- Use metal vent only. Rigid metal vent is recommended. Plastic or metal foil vent is not recommended.
- The length of vent system and number of elbows should be kept to a minimum to provide efficient performance.

### For the most efficient and quiet operation:

- Use no more than three 90° elbows.
- Make sure there is a minimum of 24" (61 cm) of straight vent between the elbows if more than 1 elbow is used.
- Do not install 2 elbows together.
- Use clamps to seal all joints in the vent system.
- The vent system must have a damper. If the roof or wall cap has a damper, do not use the damper supplied with the range hood.
- Use caulking to seal exterior wall or roof opening around the cap.
- The size of the vent should be uniform.

### Cold Weather Installations

An additional back draft damper should be installed to minimize backward cold air flow and a thermal break should be installed to minimize conduction of outside temperatures as part of the vent system. The damper should be on the cold air side of the thermal break.

The break should be as close as possible to where the vent system enters the heated portion of the house.

### Makeup Air

Local building codes may require the use of makeup air systems when using ventilation systems greater than specified CFM of air movement. The specified CFM varies from locale to locale. Consult your HVAC professional for specific requirements in your area.

### Venting Methods

This canopy hood is factory set for venting through the roof or wall.

A 6" (15.2 cm) round vent system is needed for installation (not included). The hood exhaust opening is 6" (15.2 cm) round.

**NOTE:** Flexible vent is not recommended. Flexible vent creates back pressure and air turbulence that greatly reduce performance.

Vent system can terminate either through the roof or wall. To vent through a wall, a 90° elbow is needed.

### Rear discharge

A 90° elbow may be installed immediately above the hood.

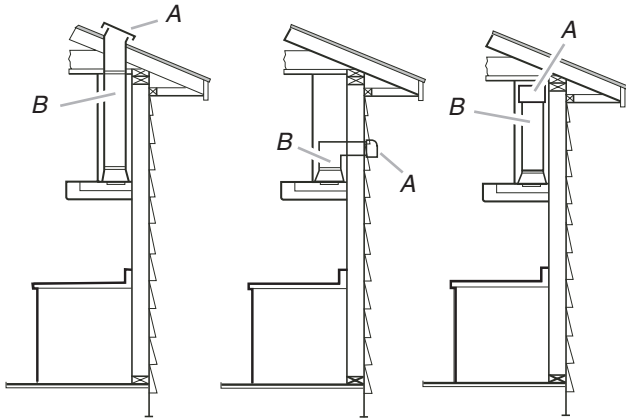
## For Non-Vented (recirculating) Installations

If it is not possible to vent cooking fumes and vapors to the outside, the hood can be used in the non-vented (recirculating) version, fitting a charcoal filter and the deflector. Fumes and vapors are recycled through the top grille.

### Roof Venting

### Wall Venting

### Non-vented (recirculating)





A. Roof cap  
B. 6" (15.2 cm) round vent

A. Wall cap  
B. 6" (15.2 cm) round vent

A. Deflector  
B. 6" (15.2 cm) round vent

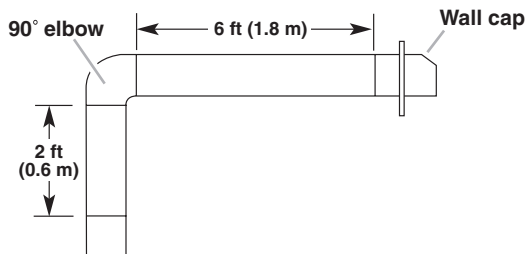
## Calculating Vent System Length

To calculate the length of the system you need, add the equivalent feet (meters) for each vent piece used in the system.

Vent Piece	6" (15.2 cm) Round	
45° elbow	2.5 ft (0.8 m)	
90° elbow	5.0 ft (1.5 m)	

Maximum equivalent vent length is 35 ft (10.7 m).

## Example vent system



The following example falls within the maximum recommended vent length of 35 ft (10.7 m).

1 - 90° elbow	= 5.0 ft (1.5 m)
1 - wall cap	= 0.0 ft (0.0 m)
8 ft (2.4 m) straight	= 8.0 ft (2.4 m)
Length of system	= 13.0 ft (3.9 m)

## Electrical Requirements

Observe all governing codes and ordinances.

Ensure that the electrical installation is adequate and in conformance with National Electrical Code, ANSI/NFPA 70 (latest edition), or CSA Standards C22.1-94, Canadian Electrical Code, Part 1 and C22.2 No. 0-M91 (latest edition) and all local codes and ordinances.

If codes permit and a separate ground wire is used, it is recommended that a qualified electrician determine that the ground path is adequate.

A copy of the above code standards can be obtained from:

National Fire Protection Association  
1 Batterymarch Park  
Quincy, MA 02169-7471

CSA International  
8501 East Pleasant Valley Road  
Cleveland, OH 44131-5575

- A 120 volt, 60 Hz., AC only, 15-amp, fused electrical circuit is required.
- If the house has aluminum wiring, follow the procedure below:
  1. Connect a section of solid copper wire to the pigtail leads.
  2. Connect the aluminum wiring to the added section of copper wire using special connectors and/or tools designed and UL listed for joining copper to aluminum.

Follow the electrical connector manufacturer's recommended procedure. Aluminum/copper connection must conform with local codes and industry accepted wiring practices.

- Wire sizes and connections must conform with the rating of the appliance as specified on the model/serial rating plate. The model/serial plate is located behind the filter on the rear wall of the range hood.
- Wire sizes must conform to the requirements of the National Electrical Code, ANSI/NFPA 70 (latest edition), or CSA Standards C22.1-94, Canadian Electrical Code, Part 1 and C22.2 No. 0-M91 (latest edition) and all local codes and ordinances.

# INSTALLATION INSTRUCTIONS

## Prepare Location

- It is recommended that the vent system be installed before hood is installed.
  - Before making cutouts, make sure there is proper clearance within the ceiling or wall for exhaust vent.
  - Check your ceiling height and the hood height maximum before you select your hood.
1. Disconnect power.
  2. Determine which venting method to use: roof, wall, or non-vented.
  3. Select a flat surface for assembling the range hood. Place covering over that surface.

## **! WARNING**

### Excessive Weight Hazard

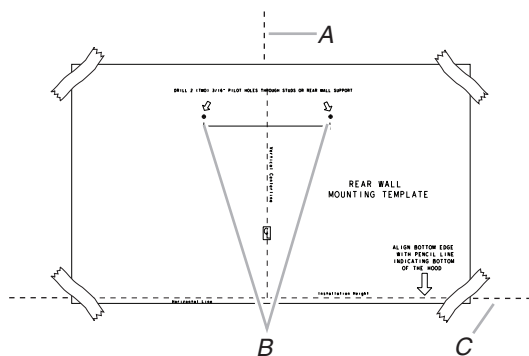
Use two or more people to move and install range hood.

Failure to do so can result in back or other injury.

4. Using 2 or more people, lift range hood onto covered surface.

## Range Hood Mounting Screws Installation

5. Determine and mark the centerline on the wall where the canopy hood will be installed.
6. Select a mounting height between a minimum of 24" (61.0 cm) for an electric cooking surface, a minimum of 27" (68.6 cm) for a gas cooking surface, and a suggested maximum of 36" (91.4 cm) above the range to the bottom of the hood. Mark a reference line on the wall.
7. Tape template in place, aligning the template centerline and bottom of template with hood bottom line and with the centerline marked on the wall.

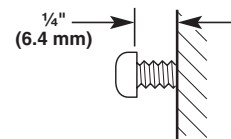


- A. Centerline
- B. Fastener locations
- C. Mounting height reference (hood bottom line)

8. Mark centers of the fastener locations through the template to the wall.  
**IMPORTANT:** All screws must be installed into wood. If there is no wood to screw into, additional wall framing supports may be required.

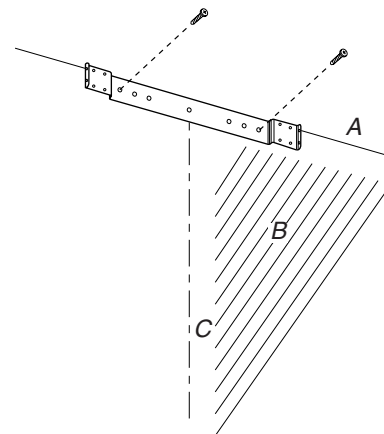
Remove the template.

9. Drill  $\frac{3}{16}$ " (4.8 mm) pilot holes at all locations where screws are being installed into wood.
10. Install the 2 - 5 x 45 mm mounting screws. Leave a  $\frac{1}{4}$ " (6.4 mm) gap between the wall and the back of the screw head to slide range hood into place.



## Vent Cover Bracket Installation

11. Attach vent cover bracket to wall flush to the ceiling using 2 - 5 x 45 mm screws.



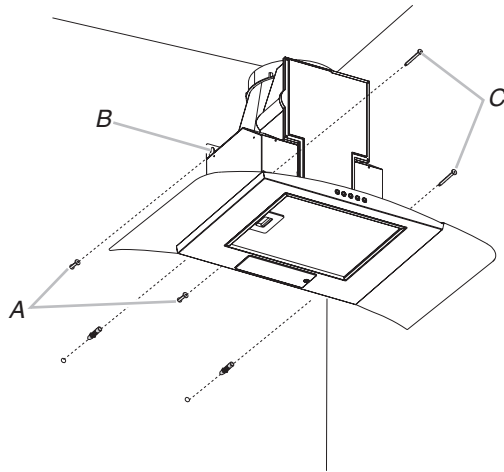
- A. Ceiling
- B. Wall
- C. Centerline

## Complete Preparation

1. Determine and make all necessary cuts in the wall for the vent system. Install the vent system before installing the hood. See "Venting Requirements" section.
2. Determine the required height for the home power supply cable and drill a  $1\frac{1}{4}$ " (3.2 cm) hole at this location.
3. Run the home power supply cable according to the National Electrical Code or CSA Standards and local codes and ordinances. There must be enough  $\frac{1}{2}$ " conduit and wires from the fused disconnect (or circuit breaker) box to make the connection in the hood's electrical terminal box.  
**NOTE:** Do not reconnect power until installation is complete.
4. Use caulk to seal all openings.

## Install Range Hood

- Using 2 or more people, hang range hood on 2 mounting screws through the mounting slots on back of hood.



A. Mounting screws  
B. Mounting slots  
C. Lower mounting screws

- Remove the grease filter. See "Range Hood Care" section.
- Level the range hood and tighten upper mounting screws.
- Install 2 - 5 x 45 mm lower mounting screws and tighten.

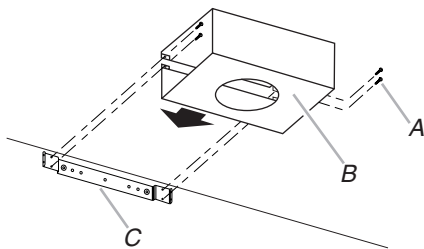
## Connect Vent System

### For vented installations only:

- Fit vent system over the exhaust outlet.
- Seal connection with clamps.
- Check that backdraft dampers work properly.

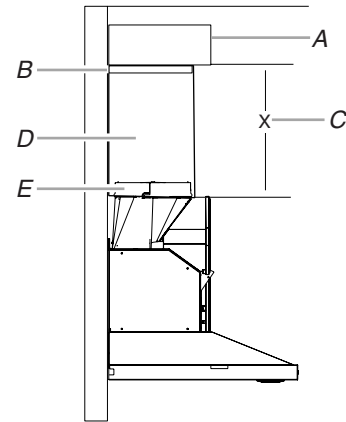
### For non-vented (recirculating) installation only:

- Assemble the air deflector with the duct cover bracket with 4 - assembly screws provided with the Recirculation Kit.



A. Assembly screws  
B. Air deflector  
C. Duct cover bracket

- Measure from the bottom of the air deflector to the bottom of the hood outlet.



A. Air deflector  
B. Vent clamp  
C. X = length to cut vent duct  
D. Vent duct  
E. Exhaust outlet

- Cut the duct to the measured size (X).
- Remove the air deflector.
- Slide the duct onto the bottom of the air deflector.
- Place the assembled air deflector and duct over the exhaust outlet from the hood.
- Reassemble the air deflector to the duct cover bracket with 4 assembly screws.
- Seal connections with vent clamps.



## Make Electrical Connection

### **⚠ WARNING**



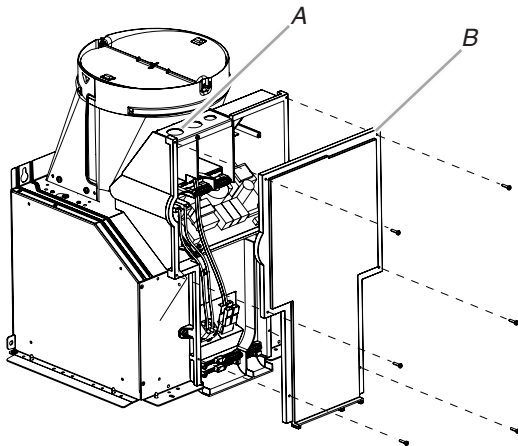
#### Electrical Shock Hazard

Disconnect power before servicing.

Replace all parts and panels before operating.

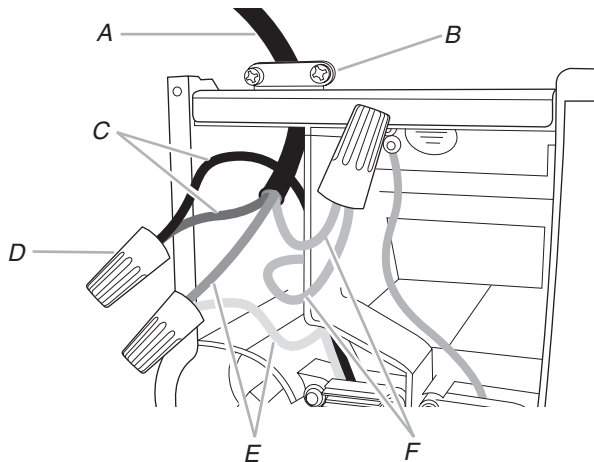
Failure to do so can result in death or electrical shock.

1. Disconnect power.
2. Remove terminal box cover.
3. Remove the knockout in the terminal box cover and install a UL listed or CSA approved ½" strain relief.



A. Knockout  
B. Terminal box cover

4. Run home power supply cable through strain relief, into terminal box.



A. Home power supply cable  
B. UL listed or CSA approved strain relief  
C. Black wires  
D. UL listed wire connectors  
E. White wires  
F. Green (or bare) and yellow-green ground wires

5. Use UL listed wire connectors and connect black wires (C) together.
6. Use UL listed wire connectors and connect white wires (E) together.

### **⚠ WARNING**



#### Electrical Shock Hazard

Electrically ground blower.

Connect ground wire to green and yellow ground wire in terminal box.

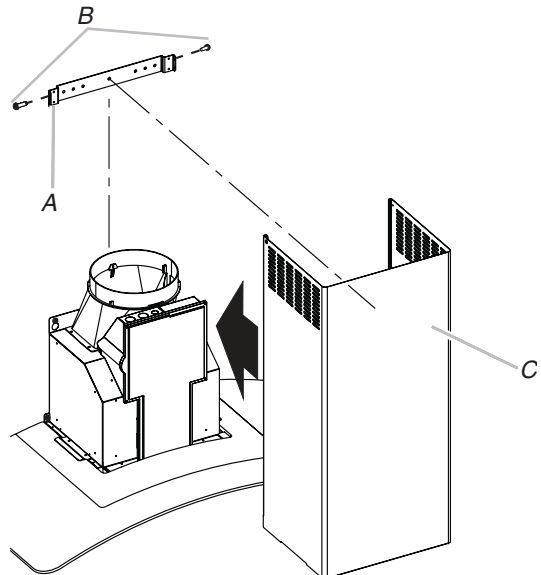
Failure to do so can result in death or electrical shock.

7. Connect green (or bare) ground wire from home power supply to yellow-green ground wire (F) in terminal box using UL listed wire connectors.
8. Tighten strain relief screw.
9. Install terminal box cover.
10. Check that all light bulbs are secure in their sockets.
11. Reconnect power.

## Install Vent Covers

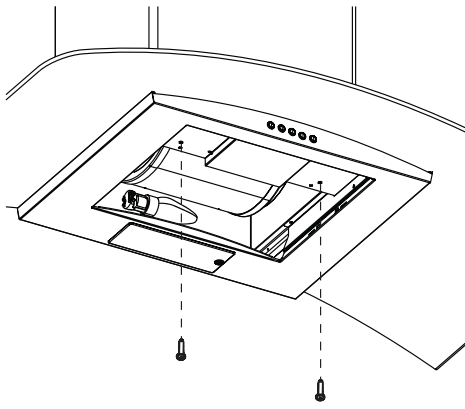
When using both upper and lower vent covers, push lower cover down onto hood and lift upper cover to ceiling and install with 2 - 4 x 8 mm screws.

**NOTE:** For vented installations, the upper vent cover may be reversed to hide slots.



A. Bracket  
B. 4 x 8 mm screws  
C. Vent cover

Secure the bottom of the duct with 2 - 4 x 8 mm screws.



---

## Complete Installation

1. For non-vented (recirculating) installations only, install charcoal filters over metal grease filter. See the "Range Hood Care" section.
2. Install metal filters. See the "Range Hood Care" section.
3. Check the operation of the range hood blower and light. See the "Range Hood Use" section.

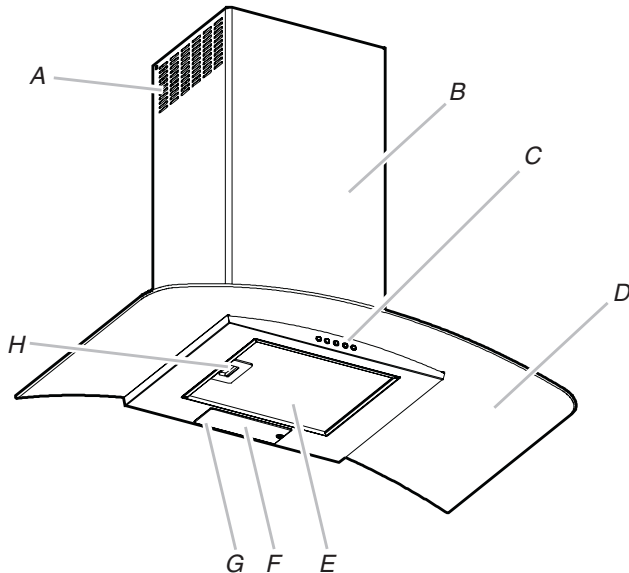
**NOTE:** To get the most efficient use from your new range hood, read the "Range Hood Use" section.

---

## RANGE HOOD USE

The range hood is designed to remove smoke, cooking vapors and odors from the cooktop area. For best results, start the hood before cooking and allow it to operate several minutes after the cooking is complete to clear all smoke and odors from the kitchen.

The hood controls are located on the front side of the canopy.



- A. Duct cover holes
- B. Duct cover
- C. Control panel
- D. Glass canopy
- E. Grease filter
- F. Lamp cover
- G. Incandescent lamp (position and number of lamps may vary)
- H. Grease filter release handle

---

## Range Hood Controls



- A. On/Off light button
- B. Blower Off button
- C. Blower speed minimum button
- D. Blower speed medium button
- E. Blower speed maximum button

---

### Operating the light

The On/Off light button controls both lights. Press once for On and again for Off.

---

### Operating the blower

The Blower Speed buttons turn the blower on and control the blower speed and sound level for quiet operation. The speed can be changed anytime during fan operation by pressing the desired Blower Speed button.

The Blower Off button turns the blower Off.

# RANGE HOOD CARE

## Cleaning

**IMPORTANT:** Clean the hood and grease filters frequently according to the following instructions. Replace grease filters before operating hood.

### Exterior Surfaces:

To avoid damage to the exterior surface, do not use steel wool or soap-filled scouring pads.

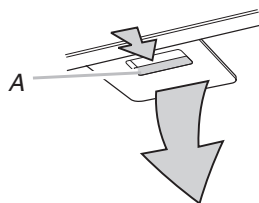
Always wipe dry to avoid water marks.

### Cleaning Method:

- Liquid detergent soap and water, or all-purpose cleanser
- Wipe with damp soft cloth or nonabrasive sponge, then rinse with clean water and wipe dry.

### Metal Grease Filter:

1. Remove the filter by pulling the spring release handle and then pulling down the filter.



A. Spring release handle

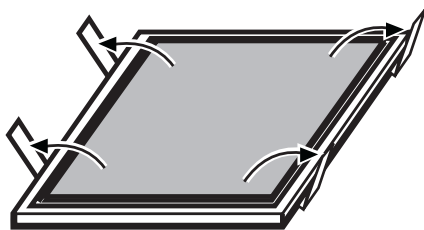
2. Wash metal filters as needed in dishwasher or hot detergent solution.
3. Reinstall the filter by making sure the spring release handles are toward the front. Insert aluminum filter into upper track.
4. Push in spring release handle.
5. Push up on metal filter and release handle to latch into place.

### Non-Vented (recirculating) Installation Filters:

The charcoal filter is not washable. It should last up to 6 months with normal use. Replace with Charcoal Filter Kit Number W10412939.

#### To replace charcoal filter:

1. Remove metal grease filter from range hood. See "Metal Grease Filter" in this section.
2. Bend spring clips away from metal grease filter.



3. Place charcoal filter into top side of metal filter.

4. Bend spring clips back into place to secure the charcoal filter to the metal filter.



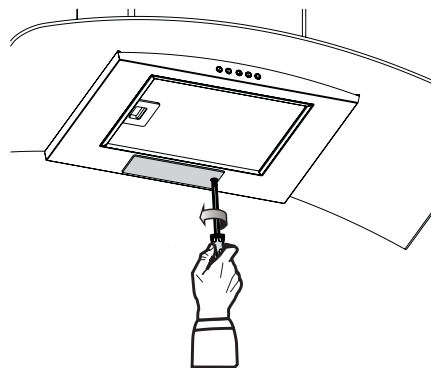
5. Replace metal grease filter. See "Metal Grease Filter" in this section.

### Replacing a Lamp

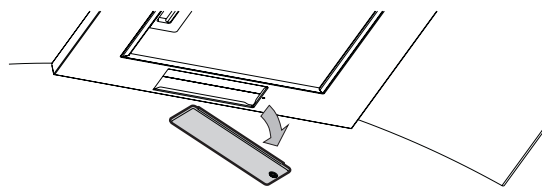
Turn off the range hood and allow the lamp to cool. To avoid damage or decreasing the life of the new bulb, do not touch bulb with bare fingers. Replace bulb, using tissue or wearing cotton gloves to handle bulb.

If new lamps do not operate, make sure the lamps are inserted correctly before calling service.

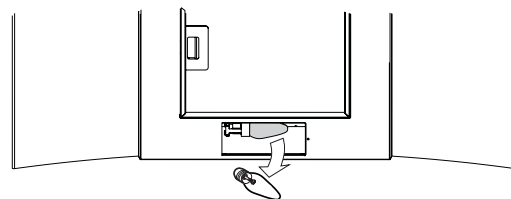
1. Disconnect power.
2. Use a Phillips screwdriver to remove screw from lamp cover.



3. Remove lamp cover and set lamp cover and the screw aside.

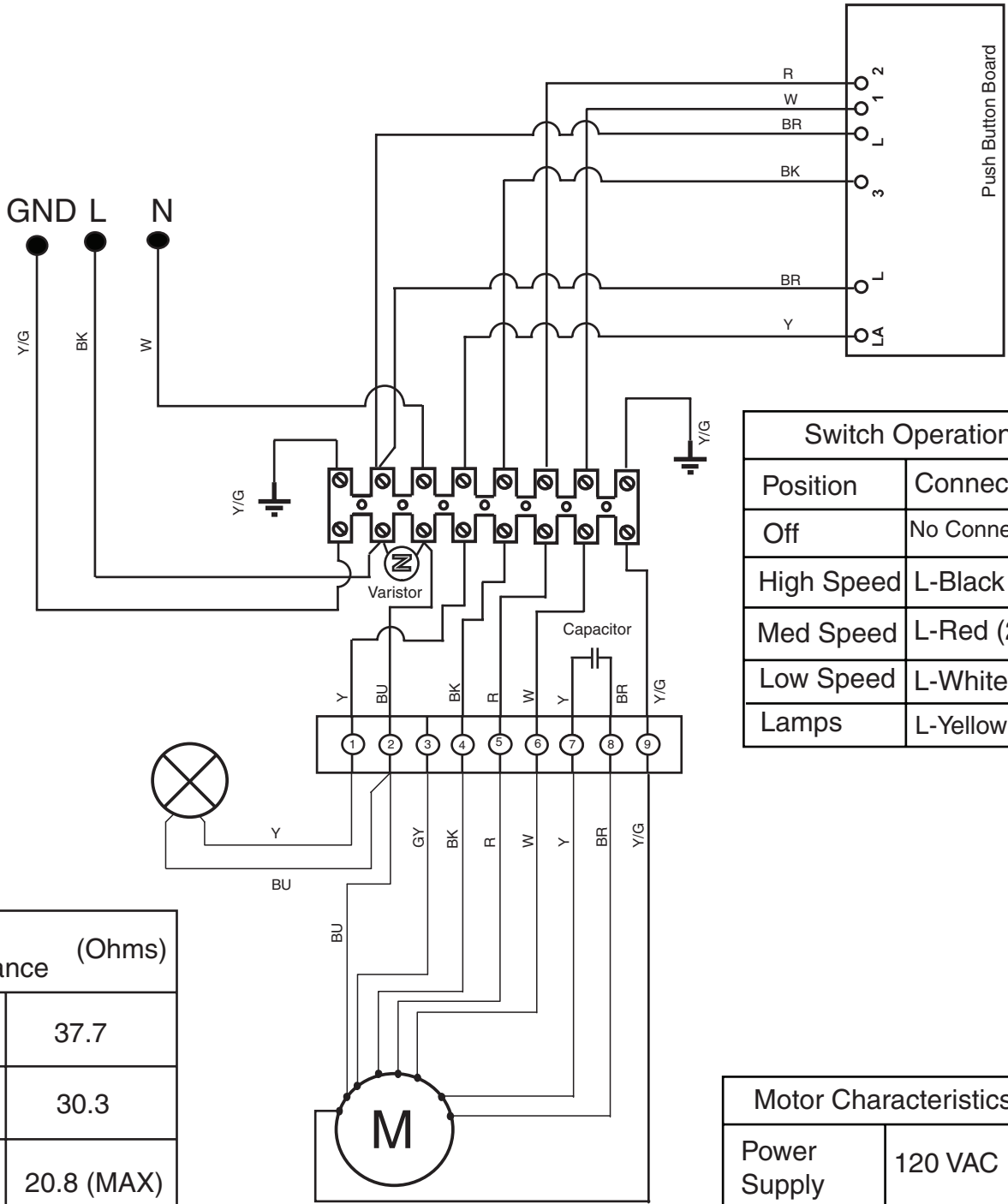


4. Remove bulb and replace with a new 120 volt, 40 watt maximum E-12 bulb.



5. Replace lamp cover and reinstall screw.
6. Reconnect power.

# WIRING DIAGRAM



Switch Operation	
Position	Connection
Off	No Connection
High Speed	L-Black (3)
Med Speed	L-Red (2)
Low Speed	L-White (1)
Lamps	L-Yellow (LA)

Motor Resistance (Ohms)	
Blue Red	37.7
Blue Gray	30.3
Blue Black	20.8 (MAX)
Blue White	45.1 (MAX)
Room Temp.	73°F (23°C)

Motor Characteristics	
Power Supply	120 VAC
Frequency	60 HZ
Power Absorption	240W

---

# ASSISTANCE OR SERVICE

---

When calling for assistance or service, please know the purchase date and the complete model and serial number of your appliance. This information will help us to better respond to your request.

## If you need replacement parts

If you need to order replacement parts, we recommend that you use only factory specified parts. Factory specified parts will fit right and work right because they are made with the same precision used to build every new appliance. To locate factory specified replacement parts in your area, call us or your nearest designated service center.

---

## In the U.S.A.

Call the Whirlpool Customer eXperience Center toll free: **1-800-253-1301** or visit our website at [www.whirlpool.com](http://www.whirlpool.com).

### Our consultants provide assistance with:

- Features and specifications on our full line of appliances.
- Installation information.
- Use and maintenance procedures.
- Accessory and repair parts sales.
- Specialized customer assistance (Spanish speaking, hearing impaired, limited vision, etc.).
- Referrals to local dealers, repair parts distributors, and service companies. Whirlpool designated service technicians are trained to fulfill the product warranty and provide after-warranty service, anywhere in the United States.

To locate the Whirlpool designated service company in your area, you can also look in your telephone directory Yellow Pages.

### For further assistance

If you need further assistance, you can write to Whirlpool Corporation with any questions or concerns at:

Whirlpool Brand Home Appliances  
Customer eXperience Center  
553 Benson Road  
Benton Harbor, MI 49022-2692

Please include a daytime phone number in your correspondence.

---

## Accessories

### Charcoal Filter Kit

(for non-vented installations only)

Order Part Number W10412939

### Recirculation Kit

(for non-vented installations only)

Order Part Number W10294733

### Chimney Extension Kit

Order Part Number W10294735

---

## In Canada

Call the Whirlpool Canada LP Customer eXperience Centre toll free: **1-800-807-6777**, or visit our website at [www.whirlpool.ca](http://www.whirlpool.ca).

### Our consultants provide assistance with:

- Features and specifications on our full line of appliances.
- Use and maintenance procedures.
- Accessory and repair parts sales.
- Referrals to local dealers, repair parts distributors, and service companies. Whirlpool Canada LP designated service technicians are trained to fulfill the product warranty and provide after-warranty service, anywhere in Canada.

### For further assistance

If you need further assistance, you can write to Whirlpool Canada LP with any questions or concerns at:

Customer eXperience Centre  
Whirlpool Canada LP  
200 - 6750 Century Ave.  
Mississauga, Ontario L5N 0B7

Please include a daytime phone number in your correspondence.

---

# WHIRLPOOL CORPORATION MAJOR APPLIANCE WARRANTY

---

## LIMITED WARRANTY

For one year from the date of purchase, when this major appliance is operated and maintained according to instructions attached to or furnished with the product, Whirlpool Corporation or Whirlpool Canada LP (hereafter "Whirlpool") will pay for Factory Specified Parts and repair labor to correct defects in materials or workmanship. Service must be provided by a Whirlpool designated service company. This limited warranty is valid only in the United States or Canada and applies only when the major appliance is used in the country in which it was purchased. Outside the 50 United States and Canada, this limited warranty does not apply. Proof of original purchase date is required to obtain service under this limited warranty.

---

## ITEMS EXCLUDED FROM WARRANTY

### This limited warranty does not cover:

1. Service calls to correct the installation of your major appliance, to instruct you on how to use your major appliance, to replace or repair house fuses, or to correct house wiring or plumbing.
2. Service calls to repair or replace appliance light bulbs, air filters or water filters. Consumable parts are excluded from warranty coverage.
3. Repairs when your major appliance is used for other than normal, single-family household use or when it is used in a manner that is contrary to published user or operator instructions and/or installation instructions.
4. Damage resulting from accident, alteration, misuse, abuse, fire, flood, acts of God, improper installation, installation not in accordance with electrical or plumbing codes, or use of consumables or cleaning products not approved by Whirlpool.
5. Cosmetic damage, including scratches, dents, chips or other damage to the finish of your major appliance, unless such damage results from defects in materials or workmanship and is reported to Whirlpool within 30 days from the date of purchase.
6. Any food loss due to refrigerator or freezer product failures.
7. Costs associated with the removal from your home of your major appliance for repairs. This major appliance is designed to be repaired in the home and only in-home service is covered by this warranty.
8. Repairs to parts or systems resulting from unauthorized modifications made to the appliance.
9. Expenses for travel and transportation for product service if your major appliance is located in a remote area where service by an authorized Whirlpool servicer is not available.
10. The removal and reinstallation of your major appliance if it is installed in an inaccessible location or is not installed in accordance with published installation instructions.
11. Major appliances with original model/serial numbers that have been removed, altered or cannot be easily determined. This warranty is void if the factory applied serial number has been altered or removed from your major appliance.

The cost of repair or replacement under these excluded circumstances shall be borne by the customer.

---

## DISCLAIMER OF IMPLIED WARRANTIES; LIMITATION OF REMEDIES

CUSTOMER'S SOLE AND EXCLUSIVE REMEDY UNDER THIS LIMITED WARRANTY SHALL BE PRODUCT REPAIR AS PROVIDED HEREIN. IMPLIED WARRANTIES, INCLUDING WARRANTIES OF MERCHANTABILITY OR FITNESS FOR A PARTICULAR PURPOSE, ARE LIMITED TO ONE YEAR OR THE SHORTEST PERIOD ALLOWED BY LAW. WHIRLPOOL SHALL NOT BE LIABLE FOR INCIDENTAL OR CONSEQUENTIAL DAMAGES. SOME STATES AND PROVINCES DO NOT ALLOW THE EXCLUSION OR LIMITATION OF INCIDENTAL OR CONSEQUENTIAL DAMAGES, OR LIMITATIONS ON THE DURATION OF IMPLIED WARRANTIES OF MERCHANTABILITY OR FITNESS, SO THESE EXCLUSIONS OR LIMITATIONS MAY NOT APPLY TO YOU. THIS WARRANTY GIVES YOU SPECIFIC LEGAL RIGHTS, AND YOU MAY ALSO HAVE OTHER RIGHTS WHICH VARY FROM STATE TO STATE OR PROVINCE TO PROVINCE.

---

If outside the 50 United States and Canada, contact your authorized Whirlpool dealer to determine if another warranty applies.

If you need service, first see the "Troubleshooting" section of the Use & Care Guide. After checking "Troubleshooting," you may find additional help by checking the "Assistance or Service" section or by calling Whirlpool. In the U.S.A., call **1-800-253-1301**. In Canada, call **1-800-807-6777**. 9/07

---

**Keep this book and your sales slip together for future reference. You must provide proof of purchase or installation date for in-warranty service.**

Write down the following information about your major appliance to better help you obtain assistance or service if you ever need it. You will need to know your complete model number and serial number. You can find this information on the model and serial number label located on the product.

Dealer name \_\_\_\_\_  
Address \_\_\_\_\_  
Phone number \_\_\_\_\_  
Model number \_\_\_\_\_  
Serial number \_\_\_\_\_  
Purchase date \_\_\_\_\_